

The **ORION RD** line maintains the same structural characteristics of the ANDROMEDA but in the **MANUAL** version. It includes **NOVA[®]** hose guide to allow an orderly rewinding of the hose.



3 VERSIONS AVAILABLE

- Painted steel;
- Aisi 304;
- Aisi 316

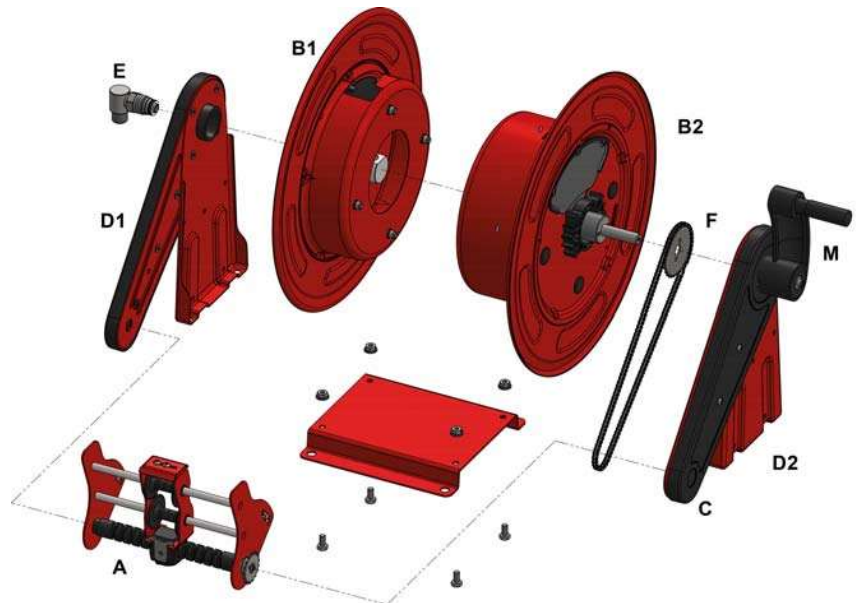
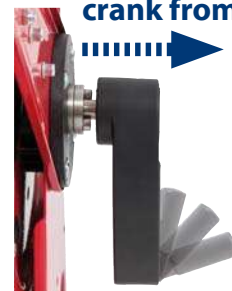
LEGEND

- A **NOVA[®]** hose guide
- B1 Hose exit side disc/drum assembly
- B2 Chain side disc/drum assembly
- C Guide arm cover
- D1 Swivel side base arm
- D2 Chain side base arm
- E Came
- F Chain drive
- M Crank

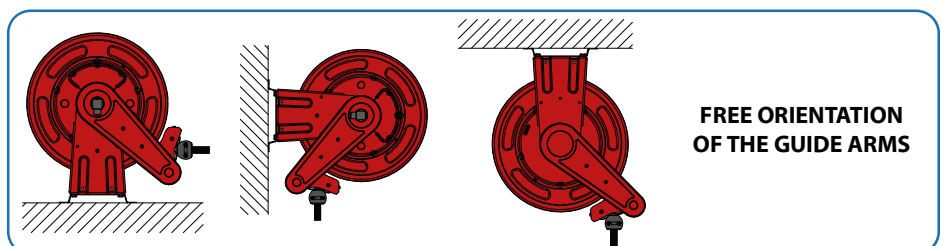
Work mode: insert the crank into the drum



Free mode: pull out the crank from the drum



Available also in the version **ORION SG** without **NOVA[®]** hose guide.



FREE ORIENTATION OF THE GUIDE ARMS

WITH HOSE GUIDE

WITHOUT HOSE GUIDE



400 SERIES - O1 Ø Disc 434 mm - Spool 130 mm - Drum 250 mm

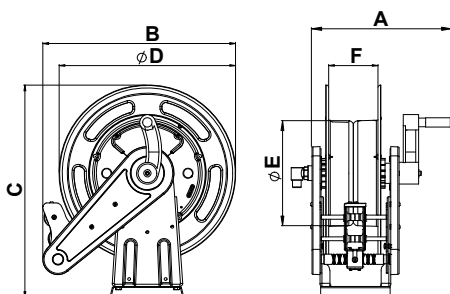
	Art.no. WITH HOSE GUIDE	Art.no. WITHOUT HOSE GUIDE	Max. pressure joint	Connection threads IN - OUT	Max diameter hose	Max length hose (m)	Swivel joint*
PAINTED STEEL	OF42130	OSGF42130	600 bar **	1/2"(M) 1/2"(F)	1/4"	40	9951
					3/8"	25	
					1/2"	18	
	OF42131	OSGF42131	100 bar	1"(M)-3/4"(F)	3/4"	10	9986
				1"	6		
AISI 304 STAINLESS STEEL	OX42130	OSGX42130	200 bar **	1/2"(M) 1/2"(F)	1/4"	40	9963
					3/8"	25	
					1/2"	18	
	OX42131	OSGX42131	100 bar	1"(M)-3/4"(F)	3/4"	10	9986
				1"	6		

400 SERIES - O2 Ø Disc 434 mm - Spool 195 mm - Drum 250 mm

	Art.no. WITH HOSE GUIDE	Art.no. WITHOUT HOSE GUIDE	Max. pressure joint	Connection threads IN - OUT	Max diameter hose	Max length hose (m)	Swivel joint*
PAINTED STEEL	OF42190	OSGF42190	600 bar **	1/2"(M) 1/2"(F)	1/4"	50	9951
					3/8"	40	
					1/2"	30	
	OF42191	OSGF42191	100 bar	1"(M)-3/4"(F)	3/4"	15	9986
				1"	10		
AISI 304 STAINLESS STEEL	OX42190	OSGX42190	200 bar **	1/2"(M) 1/2"(F)	1/4"	50	9963
					3/8"	40	
					1/2"	30	
	OX42191	OSGX42191	100 bar	1"(M)-3/4"(F)	3/4"	15	9986
				1"	10		

400 SERIES - O3 Ø Disc 434 mm - Spool 260 mm - Drum 250 mm

	Art.no. WITH HOSE GUIDE	Art.no. WITHOUT HOSE GUIDE	Max. pressure joint	Connection threads IN - OUT	Max diameter hose	Max length hose (m)	Swivel joint*
PAINTED STEEL	OF42260	OSGF42260	600 bar **	1/2"(M) 1/2"(F)	1/4"	60	9951
					3/8"	50	
					1/2"	40	
	OF42261	OSGF42261	100 bar	1"(M)-3/4"(F)	3/4"	20	9986
				1"	15		
AISI 304 STAINLESS STEEL	OX42260	OSGX42260	600 bar **	1/2"(M) 1/2"(F)	1/4"	60	9963
					3/8"	50	
					1/2"	40	
	OX42261	OSGX42261	100 bar	1"(M)-3/4"(F)	3/4"	20	9986
				1"	15		



*) The reels in painted steel are equipped with mineral oil compatible swivel joint gaskets. The hose reels in stainless steel come with water-compatible Viton® swivel joint gaskets. See pages 34-36 for the complete range of swivel joints with gaskets compatible with other liquids.

***) When ordering, specify whether or not the application implies the use of low pressure hoses (see page 37 regarding the splitting of the roller).

DIMENSIONS AND PACKAGING

Art.no.	D (mm)	F (mm)	E (mm)	A-B-C (mm)	Packaging dimensions (mm)	Weight (kg)
O1	434	130	250	393x474x522	600x370x620	15
O2	434	195	250	461x474x523	600x370x620	19
O3	434	260	250	526x474x523	560x490x560	21

WITH HOSE GUIDE

WITHOUT HOSE GUIDE



500 SERIES - O4 Ø Disc 540 mm - Spool 130 mm - Drum 250 mm

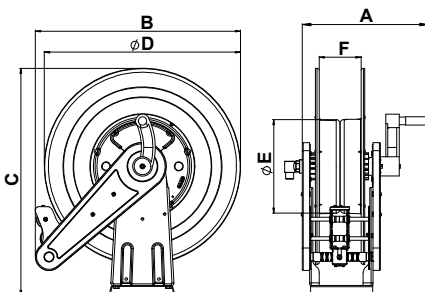
	Art.no. WITH HOSE GUIDE	Art.no. WITHOUT HOSE GUIDE	Max. pressure joint	Connection threads IN - OUT	Max diameter hose	Max length hose (m)	Swivel joint*
PAINTED STEEL	OF52130	OSGF52130	600 bar **	1/2" (M) 1/2" (F)	1/4"	60	9951
					3/8"	50	
					1/2"	40	
PAINTED STEEL	OF52131	OSGF52131	100 bar	1"(M)-3/4"(F)	3/4"	20	9986
					1"	13	
AISI 304 STAINLESS STEEL	OX52130	OSGF52130	200 bar **	1/2" (M) 1/2" (F)	1/4"	60	9963
					3/8"	50	
					1/2"	40	
AISI 304 STAINLESS STEEL	OX52131	OSGF52131	100 bar	1"(M)-3/4"(F)	3/4"	20	9986
					1"	13	

500 SERIES - O5 Ø Disc 540 mm - Spool 195 mm - Drum 250 mm

	Art.no. WITH HOSE GUIDE	Art.no. WITHOUT HOSE GUIDE	Max. pressure joint	Connection threads IN - OUT	Max diameter hose	Max length hose (m)	Swivel joint*
PAINTED STEEL	OF52191	OSGF52191	100 bar	1"(M)-3/4"(F)	3/4"	30	9986
					1"	18	
AISI 304 STAINLESS STEEL	OX52191	OSGX52191	100 bar	1"(M)-3/4"(F)	3/4"	30	9986
					1"	18	

500 SERIES - O6 Ø Disc 540 mm - Spool 260 mm - Drum 250 mm

	Art.no. WITH HOSE GUIDE	Art.no. WITHOUT HOSE GUIDE	Max. pressure joint	Connection threads IN - OUT	Max diameter hose	Max length hose (m)	Swivel joint*
PAINTED STEEL	OF52261	OSGF52261	100 bar	1"(M)-3/4"(F)	3/4"	40	9986
					1"	30	
AISI 304 STAINLESS STEEL	OX52261	OSGX52261	100 bar	1"(M)-3/4"(F)	3/4"	40	9986
					1"	30	



*) The reels in painted steel are equipped with mineral oil compatible swivel joint gaskets. The hose reels in stainless steel come with water-compatible Viton® swivel joint gaskets. See pages 34-36 for the complete range of swivel joints with gaskets compatible with other liquids.

**) When ordering, specify whether or not the application implies the use of low pressure hoses (see page 37 regarding the splitting of the roller).

DIMENSIONS AND PACKAGING

Art.no.	D (mm)	F (mm)	E (mm)	A-B-C (mm)	Packaging dimensions (mm)	Weight (kg)
O4	540	130	250	396x565x625	700x370x700	20
O5	540	195	250	461x565x626	700x420x660	22
O6	540	260	250	526x565x626	700x420x660	23

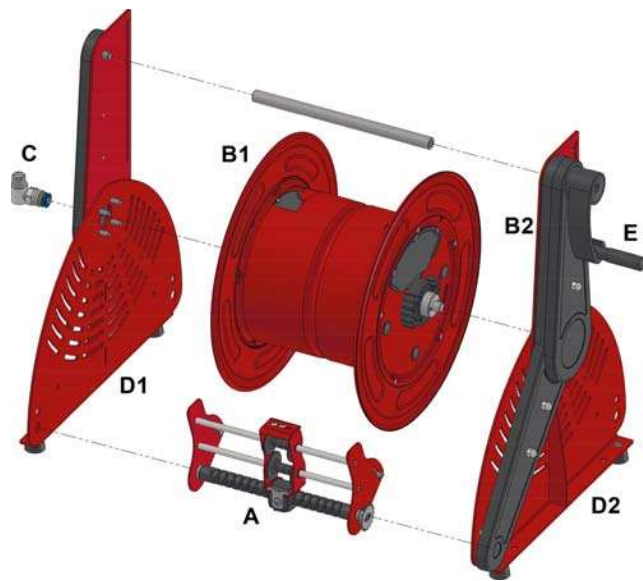
The **ORION HEAVY DUTY** line was created to satisfy the need of rewinding long hoses with diameters up to 1" while using manual-driven reels equipped with **HOVA[®]** hose guide. To do this it integrates a **3:1 effort reduction** mechanism which, facilitated by a raised position, makes it easier for the operator to rewind the hose.



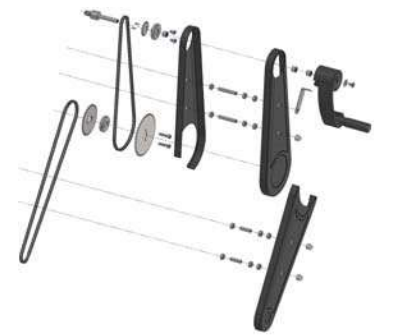
OPTIONAL
Also available on wheels to allow easy movement of the hose reel
- Wheels (F)
- Handles (G)
- Horizontal handle (H)

3 VERSIONS AVAILABLE
• Painted steel;
• Aisi 304;
• Aisi 316

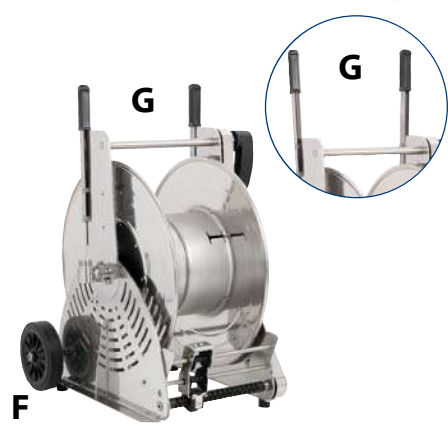
LEGEND
A **HOVA[®]** hose guide
B1 Hose exit side disc/drum assembly
B2 Chain drive side disc/drum assembly
C Swivel Joint
D1 Swivel joint side base arm
D2 Chain drive side base arm
E Crank and effort reduction mechanism



EFFORT REDUCTION (E)
A gear reduction system 3:1 allows a complete revolution of the hose reel drum with 3 turns of the crank, reducing the user's effort considerably.



OPTIONAL
WHEELED VERSION COMPLETE WITH WHEELS (F) AND HANDLES (G) (See page 19)



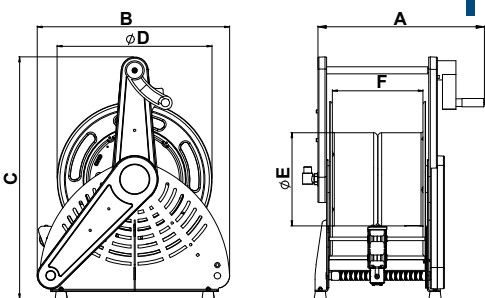
OPTIONAL
WHEELED VERSION COMPLETE WITH WHEELS (F) AND HORIZONTAL HANDLE (H)

To order this model add IR to the reel's code (e.g. OPF52190IR) see tables on page. 18.



WITH HOSE GUIDE

WITHOUT HOSE GUIDE



HD SERIES - OP1 Ø Disc 434 mm - Spool 260 mm - Drum 250 mm

	Art.no. WITH HOSE GUIDE	Art.no. WITHOUT HOSE GUIDE	Max. pressure joint	Connection threads IN - OUT	Max diameter hose	Max length hose (m)	Swivel joint*
PAINTED STEEL	OPF42260	OPSGF42260	600 bar **	1/2"(M)-1/2"(F)	1/4"	60	9951
					3/8"	50	
					1/2"	40	
PAINTED STEEL	OPF42261	OPSGF42261	100 bar	1"(M)-3/4"(F)	3/4"	20	9986
					1"	15	
AISI 304 STAINLESS STEEL	OPX42260	OPSGX42260	200 bar **	1/2"(M)-1/2"(F)	1/4"	60	9963
					3/8"	50	
					1/2"	40	
AISI 304 STAINLESS STEEL	OPX42261	OPSGX42261	100 bar	1"(M)-3/4"(F)	3/4"	20	9986
					1"	15	

HD SERIES - OP2 Ø Disc 540 mm - Spool 195 mm - Drum 250 mm

	Art.no. WITH HOSE GUIDE	Art.no. WITHOUT HOSE GUIDE	Max. pressure joint	Connection threads IN - OUT	Max diameter hose	Max length hose (m)	Swivel joint*
PAINTED STEEL	OPF52190	OPSGF52190	600 bar **	1/2"(M)-1/2"(F)	1/4"	130	9951
					3/8"	85	
					1/2"	65	
PAINTED STEEL	OPF52191	OPSGF52191	100 bar	1"(M)-3/4"(F)	3/4"	30	9986
					1"	18	
AISI 304 STAINLESS STEEL	OPX52190	OPSGX52190	200 bar **	1/2"(M)-1/2"(F)	1/4"	130	9963
					3/8"	85	
					1/2"	65	
AISI 304 STAINLESS STEEL	OPX52191	OPSGX52191	100 bar	1"(M)-3/4"(F)	3/4"	30	9986
					1"	18	

HD SERIES - OP3 Ø Disc 540 mm - Spool 260 mm - Drum 250 mm

	Art.no. WITH HOSE GUIDE	Art.no. WITHOUT HOSE GUIDE	Max. pressure joint	Connection threads IN - OUT	Max diameter hose	Max length hose (m)	Swivel joint*
PAINTED STEEL	OPF52260	OPSGF52260	600 bar **	1/2"(M)-1/2"(F)	1/4"	180	9951
					3/8"	115	
					1/2"	90	
PAINTED STEEL	OPF52261	OPSGF52261	100 bar	1"(M)-3/4"(F)	3/4"	40	9986
					1"	30	
AISI 304 STAINLESS STEEL	OPX52260	OPSGX52260	200 bar **	1/2"(M)-1/2"(F)	1/4"	180	9963
					3/8"	115	
					1/2"	90	
AISI 304 STAINLESS STEEL	OPX52261	OPSGX52261	100 bar	1"(M)-3/4"(F)	3/4"	40	9986
					1"	30	

*) The reels in painted steel are equipped with mineral oil compatible swivel joint gaskets. The hose reels in stainless steel come with water-compatible Viton® swivel joint gaskets. See pages 34-36 for the complete range of swivel joints with gaskets compatible with other liquids.

**) When ordering, specify whether or not the application implies the use of low pressure hoses (see page 37 regarding the splitting of the roller).

DIMENSIONS AND PACKAGING

Art.no.	D (mm)	F (mm)	E (mm)	A-B-C (mm)	Packaging dimensions (mm)	Weight (kg)
OP1	434	260	250	529x540x677	600x500x700	26
OP2	540	195	250	461x542x677	600x500x701	24
OP3	540	260	250	526x542x677	600x500x700	26



WITH HOSE GUIDE



ORION HEAVY DUTY
with hose guide

WHEELED VERSION COMPOSED OF:

- Nr. 2 wheels Ø 200 mm
- Nr. 2 adjustable handles.

To order this model
add MR to the reel's code
(e.g. OPF52190MR).
(See tables on page 18)

WITHOUT HOSE GUIDE



ORION HEAVY DUTY
without hose guide

ORION EASY

MANUAL HOSE REELS

WITHOUT HOSE GUIDE



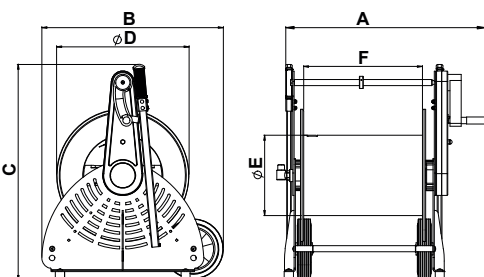
ORION EASY wheeled hose reel with reduced effort system with **3:1 rapport** and reel rotation lock mechanism. The EASY model comes with wheels.

EASY 400 SERIES - OE1 Ø Disc 434 mm - Spool 400 mm - Drum 260 mm

	Art.no. WITHOUT HOSE GUIDE	Max. pressure joint	Connection threads IN - OUT	Max diameter hose	Max length hose (m)	Swivel joint*
PAINTED STEEL	OEF42400	600 bar **	1/2"(M)-1/2"(F)	1/4"	150	9951
				3/8"	100	
				1/2"	80	
PAINTED STEEL	OEF42401	100 bar	1"(M)-3/4"(F)	3/4"	42	9986
				1"	25	
				AISI 304 STAINLESS STEEL		
OEX42400	3/8"	100				
	1/2"	80				
AISI 304 STAINLESS STEEL	OEX42401	100 bar	1"(M)-3/4"(F)	3/4"	42	9986
				1"	25	

EASY 500 SERIES - OE2 Ø Disc 540 mm - Spool 400 mm - Drum 335 mm

	Art.no. WITHOUT HOSE GUIDE	Max. pressure joint	Connection threads IN - OUT	Max diameter hose	Max length hose (m)	Swivel joint*
PAINTED STEEL	OEF53400	600 bar **	1/2"(M)-1/2"(F)	1/4"	230	9951
				3/8"	160	
				1/2"	110	
PAINTED STEEL	OEF53401	100 bar	1"(M)-3/4"(F)	3/4"	60	9986
				1"	35	
				AISI 304 STAINLESS STEEL		
OEX53400	3/8"	160				
	1/2"	110				
AISI 304 STAINLESS STEEL	OEX53401	100 bar	1"(M)-3/4"(F)	3/4"	60	9986
				1"	35	



*) The reels in painted steel are equipped with mineral oil compatible swivel joint gaskets. The hose reels in stainless steel come with water-compatible Viton® swivel joint gaskets. See pages 34-36 for the complete range of swivel joints with gaskets compatible with other liquids.

**) When ordering, specify whether or not the application implies the use of low pressure hoses (see page 37 regarding the splitting of the roller).

DIMENSIONS AND PACKAGING

Art.no.	D (mm)	F (mm)	E (mm)	A-B-C (mm)	Packaging dimensions (mm)	Weight (kg)
OE1	434	400	250	665x542x523	600x500x700	24
OE2	540	400	250	665x542x677	600x500x700	25